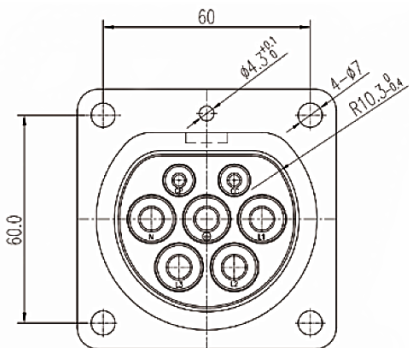


# 1 Ac charging stand



## Product size:



## Product feature:

- ◆ Comply with GB/T 20234.1/2-2015 regulations and requirements.
- ◆ Protection level up to IP55 (after insertion)
- ◆ Reliable material, flame retardant, pressure resistance, wear resistance, impact resistance, high oil resistance.
- ◆ The product design has the function of over-temperature protection
- ◆ Mechanical life: no load plug and pull > 10000 times
- ◆ Coupling plugging force: < 100N
- ◆ Shell material: thermoplastic, flame retardant grade UL94-V0
- ◆ Sleeve: copper alloy, silver plated surface
- ◆ Operating temperature: -30°C ~ +50°C
- ◆ Rated working current: 16/32/63A
- ◆ Rated operating voltage: 250/440V
- ◆ Insulation resistance: > 1000MΩ (DC500V)
- ◆ Terminal temperature rise: < 50K
- ◆ Withstand voltage: 2500V
- ◆ Contact impedance: 0.5mΩ MAX

## Product model:

Type	current/voltage	Cable specification
JL-16A1	16A/250V	3*2.5mm <sup>2</sup> +2*0.75mm <sup>2</sup>
JL-32A1	32A/250V	3*6mm <sup>2</sup> +2*0.75mm <sup>2</sup>
JL-16A2	16A/440V	5*2.5mm <sup>2</sup> +2*0.75mm <sup>2</sup>
JL-32A2	32A/440V	5*6mm <sup>2</sup> +2*0.75mm <sup>2</sup>
JL-63A2	63A/440V	5*16mm <sup>2</sup> +5*0.75mm <sup>2</sup>